

QBM 220-240 LS/PD HB

QBM 220-240 LS/PD HB | Qualified Bluetooth mesh daylight and presence sensor (Highbay)



产品特点

- 通过无源红外零件进行存在检测
- Detection height up to 14 meter
- Suitable for up to 8 DALI-2 LED drivers (Part - 207) in broadcast mode

产品优势

- Ambient light dependent control and presence detection
- Shutter included to optimize sensor detection
- Simplified mounting for flush device boxes
- Motion detection height up to 14 m

应用领域

- Entrance halls
- 工业
- 厂房



产品数据表

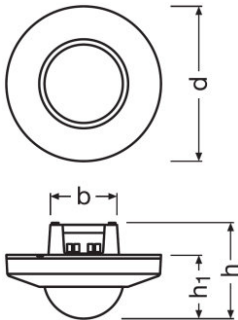
技术参数

电参数

| | |
|----------------------------------|---|
| 标称电压 | 220...240 V |
| 市电频率 | 50...60 Hz |
| Radio frequency | 2.4 GHz |
| Maximum TX power | +4 dBm ¹⁾ |
| Wireless protocol | Qualified Bluetooth mesh enabled by Silvair |
| Wireless range | 15 m line of sight |
| Guaranteed supply current (DALI) | 16 毫安 |
| Maximum supply current (DALI) | 250 毫安 |
| 系统功率 [AGGR] | 1.00 W |
| Standby power [AGGR] | < 0.5 W |
| Average input current | 14 毫安 |

¹⁾ 2.512 mW

尺寸和重量



| | |
|-------------|---------------------------|
| 直径 | 105.0 mm |
| 安装孔距, 宽度 | 68...80 mm |
| 高度 | 66.5 mm |
| 产品重量 | 208.22 g |
| 输入端线缆截面 | 1.0...2.5 mm ² |
| 预留线缆长度, 输入端 | 6...8 mm |
| 预留线缆长度, 输出端 | 6...8 mm |
| 线缆截面积, 输出端 | 1.0...2.5 mm ² |

颜色和材料

| | |
|------|----|
| 产品颜色 | 白色 |
|------|----|

产品数据表

温度

| | |
|---|--------------|
| 环境温度范围 | -20...+50 °C |
| 相对湿度 | 0...90 % |
| 仓储温度范围 | -20...70 °C |
| Permitted relative humidity at storage | 0...90 % |
| 温度系数测试点最高温度 | 75 °C |

寿命

| | |
|----|-----------------------|
| 寿命 | 50000 h ¹⁾ |
|----|-----------------------|

¹⁾ At T_c max

功能

| | |
|---|------------------------------------|
| Control interface | qualified Bluetooth mesh |
| 控制器输出端数量 | 1 ¹⁾ |
| Number of connected drivers | 8 |
| 传感器类型 | Daylight / PIR |
| 工作范围,光传感器 | 10...1500 lx |
| Detection angle (Light sensor) | +/- 30° |
| Detection angle (PIR) | +/- 55° |
| 最大安装高度 | 14 m |
| 可调光 | 是 |
| Compatibility | Works with OSRAM HubSense |
| Status Indicator | Blue: Network status ²⁾ |
| 调光界面 | DALI-2 |
| Control output | DALI-2 |
| 探测角度 | 40 ° |
| Reset | Manual |
| 安装类型 | 固定方式/吸顶 |
| Number of supported push buttons | 4 |

¹⁾ DALI-2 LED Driver (Part-207), broadcast

²⁾ see additional product information

认证与标准

| | |
|-----------|--|
| 认证标志 - 认证 | CE / ioXT / PSA |
| 标准 | 根据 EN 55015标准 / 根据 EN 61347-2-11标准 / 根据 EN 61547标准 / Acc. to EN 62479 / Acc. to ETSI EN 300 328 / Acc. to ETSI EN 301 489-17 / Acc. to ETSI EN 301 489 - 1 / Acc. to EN 61347-2-1 / IEC 62386-101 / IEC 62386-103 / EN 62493 |

产品数据表

物流数据

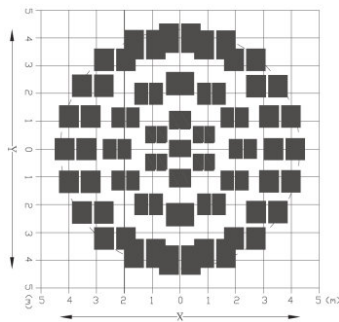
| | |
|------|-------------|
| 商品编码 | 85371098990 |
|------|-------------|

Environmental information

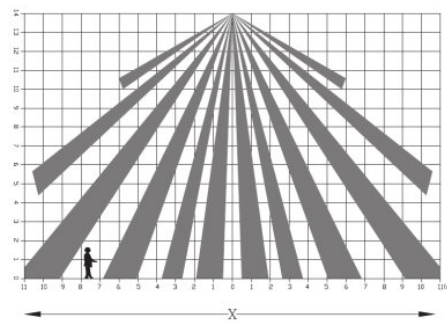
| Information according Art. 33 of EU Regulation (EC) 1907/2006 (REACH) | |
|---|--|
| Date of Declaration | 23-06-2023 |
| Primary Article Identifier | 4062172161169 |
| Candidate List Substance 1 | Lead |
| CAS No. of substance 1 | 7439-92-1 |
| Safe Use Instruction | The identification of the Candidate List substance is sufficient to allow safe use of the article. |
| Declaration No. in SCIP database | 69a379e2-b491-4adc-8ba1-e556769a2805 |

设备/配件

- Surface and recessed ceiling integration via QBM 220-240 LS/PD CM KIT

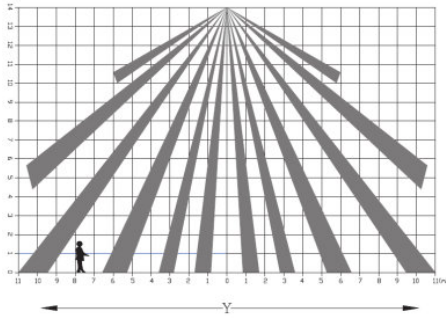


Detection pattern height QBM 220240 LSPD

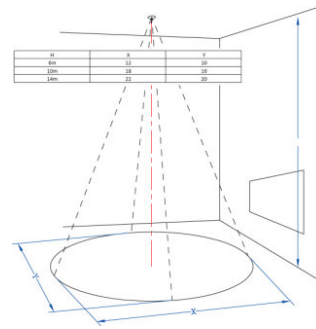


Detection pattern X direction QBM 220 240 LS PD HB CI

产品数据表



Detection pattern Y direction QBM 220 240 LS PD HB CI



Detection area vs height QBM 220 240 LS PD HB CI

数据表文本

- This device is not allowed to be connected with other DALI Bus power supplies on the same line.
- The maximal total wire length to all connected push buttons must not exceed 10 m.
- By integrating the device into a casing the wireless range could be affected, in particular by metal surfaces. Therefore, the wireless range needs to be verified after integration.
- The device could be reset to factory default by pressing the reset button for longer than 10 sec.
- If the device is not connected to a network, it will take approximately 30 seconds for it to appear as an available device after it is powered on.
- The status LED of the device indicates the following network status. Fast blinking: Not connected to a network. Slow blinking: Connected to a network.
- The device has passed successfully the SILVAIR Testing process.
- The device can be put into operation using the OSRAM HubSense Commissioning Tool (<https://platform.hubsense.eu>), subject to prior acceptance of the Terms of Use and the Privacy Policy.
- OSRAM may terminate or suspend the use of the HubSense Commissioning Tool at any time and for any or no reason in its sole discretion, even if access and use is continued to be allowed to others.
- The device complies with Bluetooth mesh Standard v1.0. It can also be used in 3rd party Bluetooth mesh network, that complies with this standard and that supports the mesh models of this device, and with certain 3rd party commissioning tools, that support the mesh models of this device. In order to ensure correct interoperability a verification with the 3rd party network components and the 3rd party commissioning tool is necessary in advance. Please contact OSRAM (support@hubsense.eu) to receive the actual list of supported models for this device.
- OSRAM shall have no liability for any 3rd party commissioning tool and does not make any representations, express or implied, about the availability and/or performance of such commissioning tool.
- OSRAM shall have no liability for and does not make any representations, express or implied, about the connectivity of OSRAM QBM products with any other products, that have passed the SILVAIR Testing process.

下载数据

文件



User instruction
QBM 220-240

产品数据表



统一宣言
QBM 220 240 LS PD HB CI CE 4256868 150221



统一宣言
QBM 220 240 LS PD HB CI UK DoC 4283210 150221

物流数据

| 产品代码 | 产品描述 | 包装单位 (件/单位) | 尺寸 (长 x 宽 x 高) | 体积 | 毛重 |
|---------------|----------------------|---------------|--------------------------|-----------------------|-----------|
| 4062172161169 | QBM 220-240 LS/PD HB | 箱 24 | 525 mm x 390 mm x 215 mm | 44.02 dm ³ | 7209.00 g |

这里所提到的产品编码代表最小订购数量。一个整件包装含有一个或多个单一产品。请您在下单时，按一个或多个整件数下单。

免责声明

Subject to change without notice. Errors and omission excepted. Always make sure to use the most recent release.