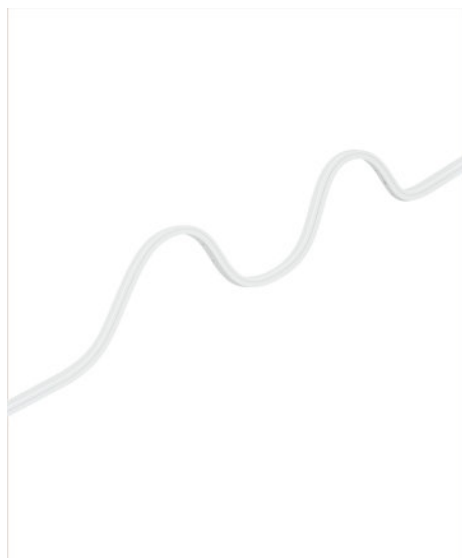


## GINOLED Flex DIFFUSE Top-Tunable White



### 产品特点

- Available for 2700 K to 5700 K CCT adjustable
- 3 SDCM, CRI80
- IP65 protection for indoor and semi-outdoor application
- 110° viewing angle per module
- Up to 50,000 hrs lifetime @ tc max

### 产品优势

- 10x9 mm super slim design, fit for embedded applications
- Diffuse version, side emitting, high uniformity without hot spots and dark areas
- Customizable to meet difference length requirements of customers

### 应用领域

- 招牌
- Architectural lighting
- 墙壁整合
- Hospitality lighting



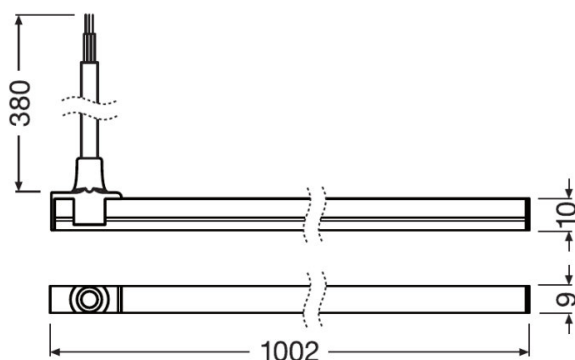
## 产品系列数据表

### 技术参数

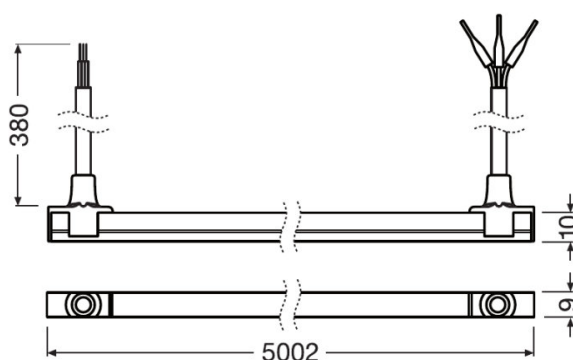
#### 尺寸和重量

产品描述	高度	宽度	长度	产品重量
GFDT500TW-G1 82757-01	9.00 mm	10.0 mm	1002 mm	120.00 g
GFDT500TW-G1 82757-05	9.00 mm	10.0 mm	5002 mm	550.00 g

#### 产品系列标有数字



GFDT500TW-G1 82757-01



GFDT500TW-G1 82757-05

#### 认证与标准

产品描述	Energy efficiency class of the contained light source
GFDT500TW-G1 82757-01	E
GFDT500TW-G1 82757-05	E

#### 物流数据

产品描述	商品编码
GFDT500TW-G1 82757-01	940540399000
GFDT500TW-G1 82757-05	940540399000

## 产品系列数据表

### Environmental information Information according Art. 33 of EU Regulation (EC) 1907/2006 (REACH)

产品描述	Date of Declaration	Primary Article Identifier	Candidate List Substance 1
GFDT500TW-G1 82757-01	18-04-2022	4062172167079	No declarable substances contained
GFDT500TW-G1 82757-05	18-04-2022	4062172167093	No declarable substances contained

产品描述	Declaration No. in SCIP database
GFDT500TW-G1 82757-01	No declarable substances contained
GFDT500TW-G1 82757-05	No declarable substances contained

### 应用建议

更多详细应用信息和图形,请参阅产品数据表。

### 销售和技术支持

销售和技术支持 [www.osram.cn](http://www.osram.cn)

### 下载数据

文件



统一宣言  
GFD TW CE 4237513 040221

## 产品系列数据表

### Ecodesign regulation information:

- This product is considered to be a "containing product" in the sense of Regulations (EU) 2019/2020 and (EU) 2019/2015.
- Tolerances of the reported values, are according to LED Modules Performance standard IEC/EN 62717.
- In general, the replacement of the contained light sources without permanent damage to the product with the use of common available tools is possible in the final application when they can be dismantled from the installation environment and substituted for the necessary number of light sources restoring its full electrical/mechanical/thermal/optical functionality by means of a professional installer. In the contrary, and limited to the LINEARlight Flex Diffuse, LINEARlight Rigid Finesse, GINO LED Flex Diffuse and LUMINENT Milky product families, the contained light source is an integrated part of the containing product and its removal can only be done by causing a permanent damage to the containing product due to its tight mechanical, electrical, optical, thermal interaction and/or environmental protection with or from the containing product. Therefore, a replacement of the light source with the use of common available tools is not justified.
- Dismantling of light sources from containing products at end of life: Containing products with light sources which are scalable in length can be cut to the length of the contained light source and if applicable mechanically detached from protective and/or optical covers. Containing products shall be separated from building material and/or from other additional mounting accessories by means of a professional installer. Separate control gear and light sources must be disposed of at certified disposal companies in accordance with Directive 2012/19/EU (WEEE) in the EU and with Waste Electrical and Electronic Equipment (WEEE) Regulations 2013 in the UK. For this purpose, collection points for recycling centres and take-back systems (CRSO) are available from retailers or private disposal companies, which accept separate control gear and light sources free of charge. In this way, raw materials are conserved and materials are recycled.

### 物流数据

产品代码	产品描述	包装单位 ( 件/单位 )	尺寸 ( 长 x 宽 x 高 )	体积	毛重
4062172167079	GFDT500TW-G1 82757-01	箱 40	570 mm x 570 mm x 380 mm	123.46 dm <sup>3</sup>	12740.00 g
4062172167093	GFDT500TW-G1 82757-05	箱 10	370 mm x 370 mm x 380 mm	52.02 dm <sup>3</sup>	8380.00 g

这里所提到的产品编码代表最小订购数量。一个整件包装含有一个或多个单一产品。请您在下单时，按一个或多个整件数下单。

### 可选择性配件

产品描述	配件名称	配件代码
GFDT500TW-G1 82757-01	FX-GFPM-G1-TT-13H11- -20	▶ 4062172147514
GFDT500TW-G1 82757-01	FX-GFPM-G1-TT-13H11- -1000	▶ 4062172147538
GFDT500TW-G1 82757-01	FX-GFDT13-G1 -ENDCAP	▶ 4062172167116
GFDT500TW-G1 82757-05	FX-GFPM-G1-TT-13H11- -20	▶ 4062172147514
GFDT500TW-G1 82757-05	FX-GFPM-G1-TT-13H11- -1000	▶ 4062172147538
GFDT500TW-G1 82757-05	FX-GFDT13-G1 -ENDCAP	▶ 4062172167116

## 产品系列数据表

---

### 免责声明

更改恕不另行通知。遗漏错误不承担任何责任。总是确保使用最新的信息。